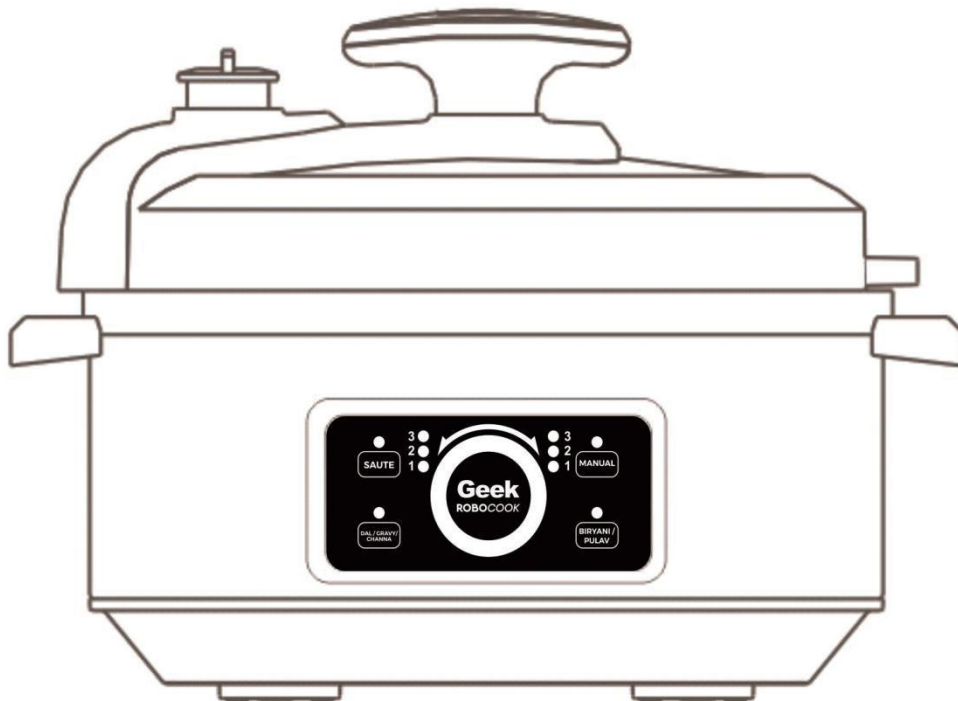




DIGITAL MULTI-FUNCTION COOKER

MODEL NO.:AX-D301



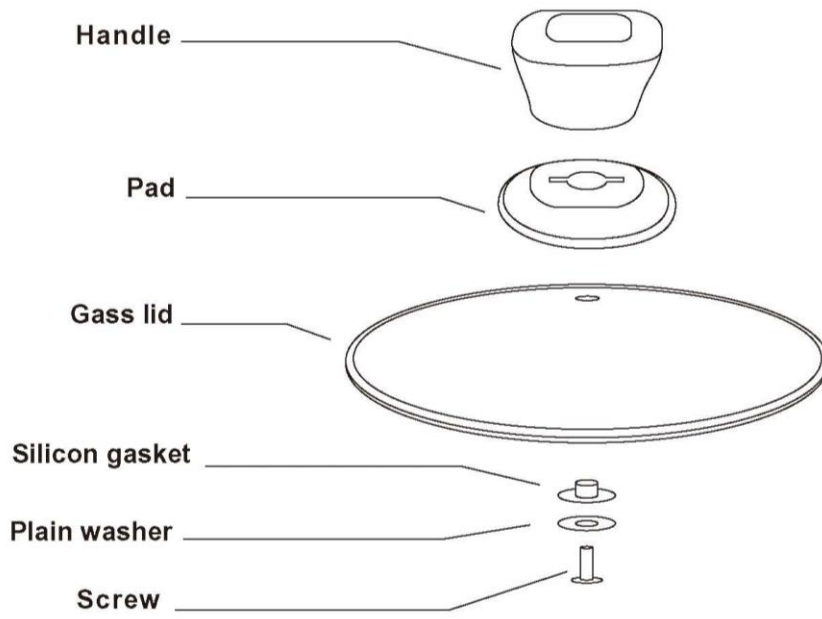
INSTRUCTION MANUAL

IMPORTANT SAFEGUARDS

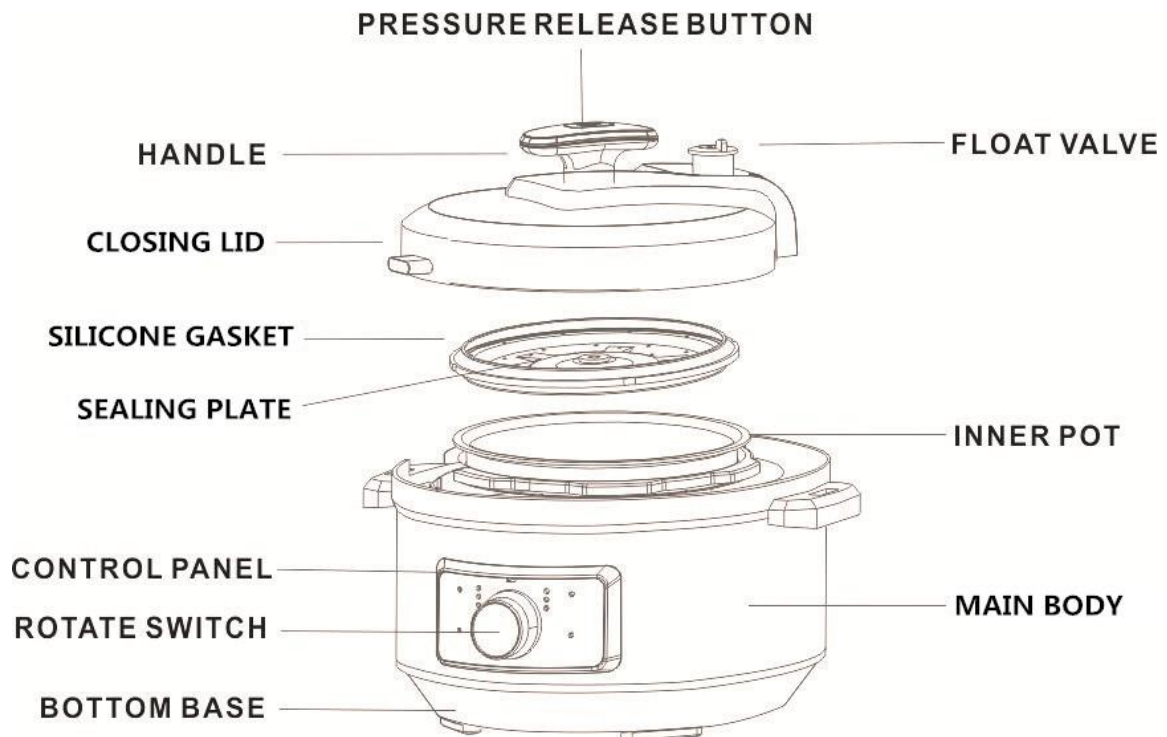
When using your digital multi-function cooker, basic safety precautions should always be followed:

1. Insert the digital multi-function cooker directly into the wall socket as far as possible, and do not share the same socket with other electrical appliances. Turn off and unplug the plug 10 hours after starting the machine, check whether the plug and socket are hot or not. If hot, please replace the good socket, to avoid overheating and burning or causing fire due to bad contact.
2. Don't pull the power cord, to avoid loosening the power cord.
3. Don't put special pot on other cooking stoves for any kind of cooking.
4. Digital multi-function cooker can't be dried at high temperature, otherwise it will affect its life.
5. Don't use other pots to cook directly on digital multi-function cooker.
6. The metal shell will produce high temperature when cooking. Don't touch directly with hands.
7. Do not use this pot in humid, high temperature or rough environment.
8. Must always keep the digital multi-function cooker dry and clean, especially the heating plate.
9. The digital multi-function cooker should not be washed directly in water to avoid leakage of electricity.
10. If there is any damage to the electric heater, it should be stopped immediately.
11. The power supply must have a good grounding device.
12. Do not collide the bottom of the pot with the heating plate, so as not to cause poor contact between them, resulting in damage to the overheating protection.
13. In order to avoid fire alarm, please do not place inflammable items, such as cleaning cloth and adhesive tape, on or below the digital multi-function cooker.
14. When the digital multi-function cooker is first used, there may be a small amount of smoke, which is a normal phenomenon. This situation will disappear after the use of the cooker continues.
15. When the pot still contains high temperature liquid (such as boiling water or boiling oil), please be careful when it needs to be moved to avoid scalding.
16. When there is foreign matter on the surface of the heating plate and the bottom of the pot, it must be removed, otherwise it will affect the use and damage the electrical components.
17. Do not store in corrosive gas or moist place when not in use.
18. If the power cord is damaged, in order to avoid danger, stop to use and call maintenance department or similar full-time personnel to fix up.
19. This product is only used in families or similar places.
20. Dry cloth must be used to clean the water droplets and sundries on the bottom of the inner pot and the surface of the electric heating plate before electrification.

ASSEMBLY INSTRUCTION



PARTS DESCRIPTION



CONTROL PANEL



POWER ON

After the product is plugged into the power supply, a "BI" sound will be emitted, and the panel indicator light will flash for a second and then go out.

STAND BY

Switch the knob to select the function, and the corresponding function light will flash. Press the knob to start working, and the corresponding function light is always on. Press the knob again to resume standby.

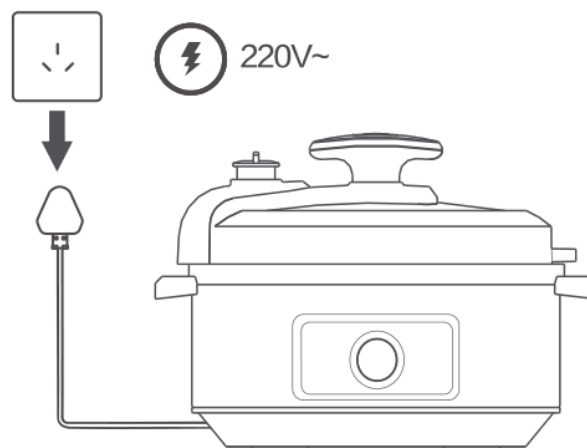
MENU

When the product is in standby mode, the rotary knob can select four common functions, including SAUTE, MANUAL, DAL/GRAVY/CHANNA and BIRYANI/PULAV.

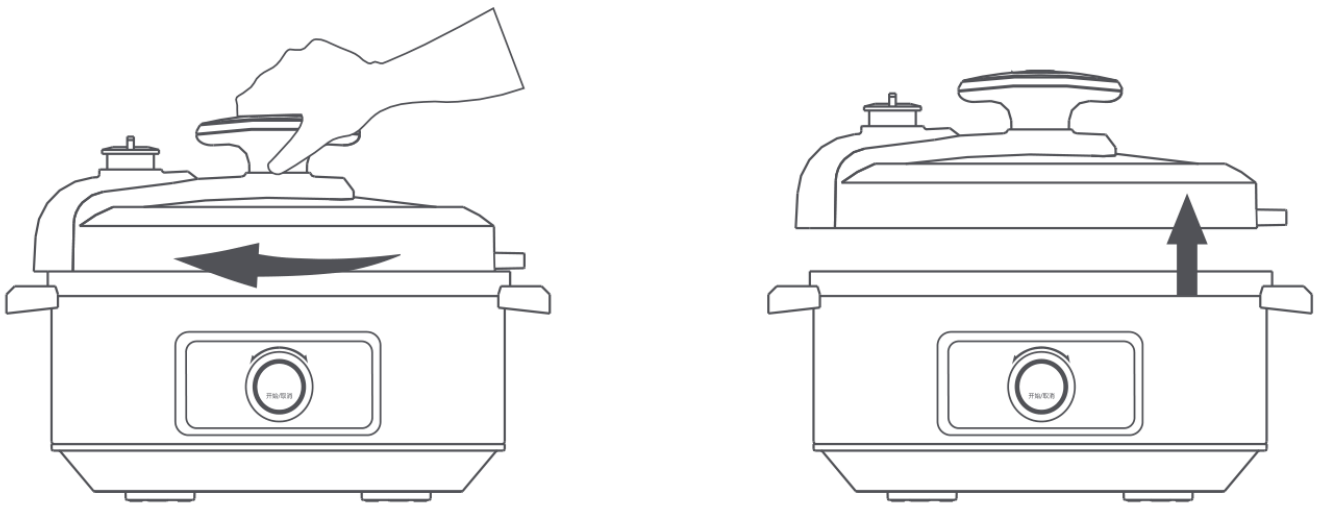
Function	Default Taste	Keep Pressure time	Cooking Time Range	Pressure Adjust	Keep Warm Adjust	Preset Adjust
MANUAL	Level I	15	15-30	N	N	N
	Level II	20				
	Level III	30				
DAL/GRAVY/CHANNA	Medium	40	40	N	N	N
BIRYANI//PULAV	Medium	10	10	N	N	N
SAUTE	Level I :500W Level II: 800w Level III: 1300W					
KEEP WARM	60-70°C					

HOW TO USE

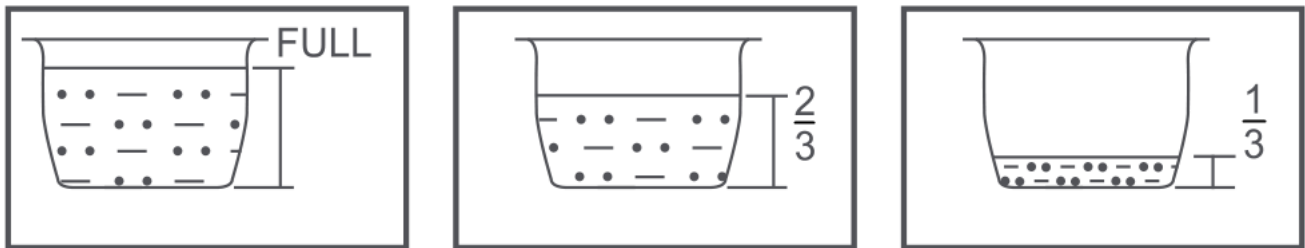
1. The product should be placed in a flat place near the socket, and there should be ventilated.



2. To open the lid, you can hold on the handle, and rotate clockwise until opening, then lift it up.



3. Take out inner pot, and put the food and water into the pot. Food and water shouldn't be over the full scale, but shouldn't be less than 1 / 3 of full scale. If the food is easy to expand, it should not exceed 2 / 3 of full scale.

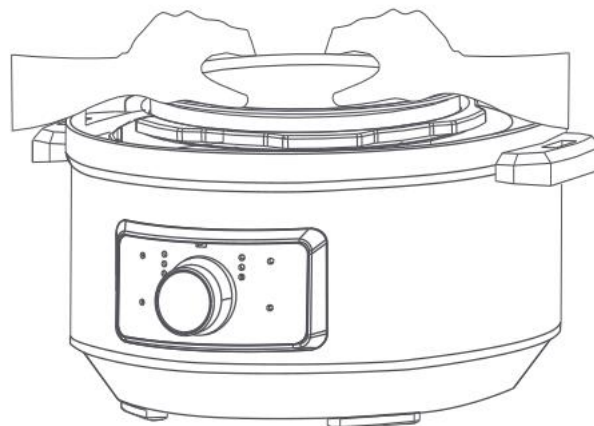


4. Put inner pot into main body

4.1 Wipe the heating plate, making its surface clean before putting.

4.2 During the inner pot and the heating plate shall be free of foreign matter.

4.3 Rotate the inner pot gently to keep them in good contact.

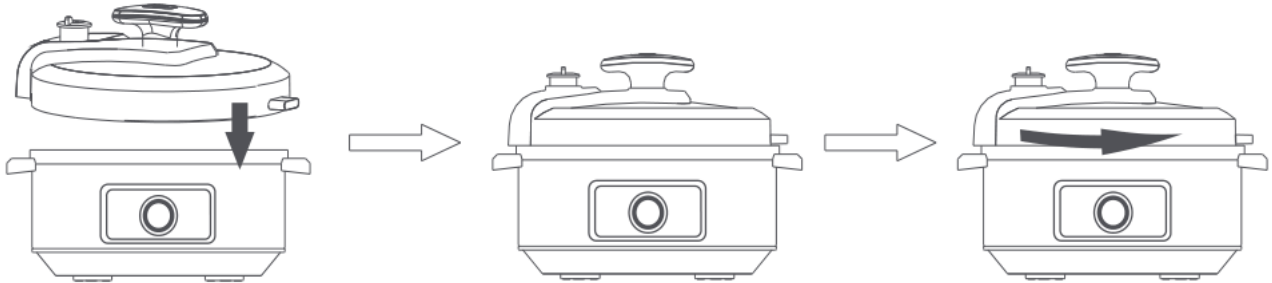


5. Close the lid

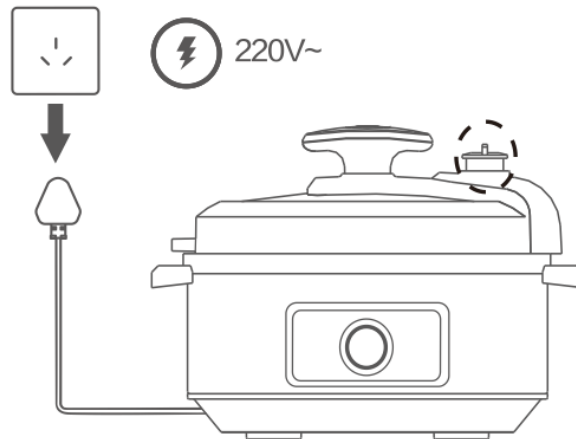
5.1 Make sure putting sealing plate into the lid.

5.2 Rotate the sealing plate left and right by hand to make it freely and evenly placed in the lid.

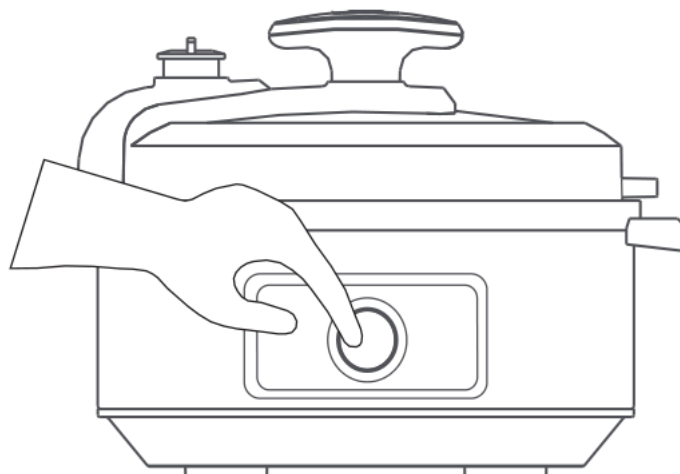
5.3 Hold on the handle, lay it flat to the limit edge, and then rotate the lid anticlockwise to buckle position. You'll hear "click" button sound.



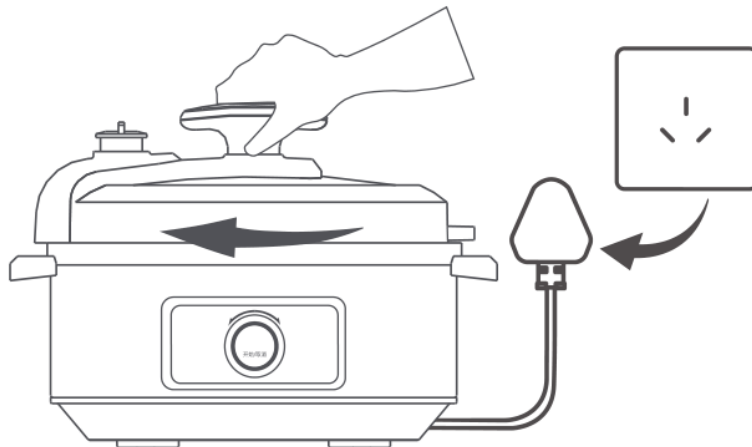
6. Check whether the float valve has been installed, and switch on the power supply.



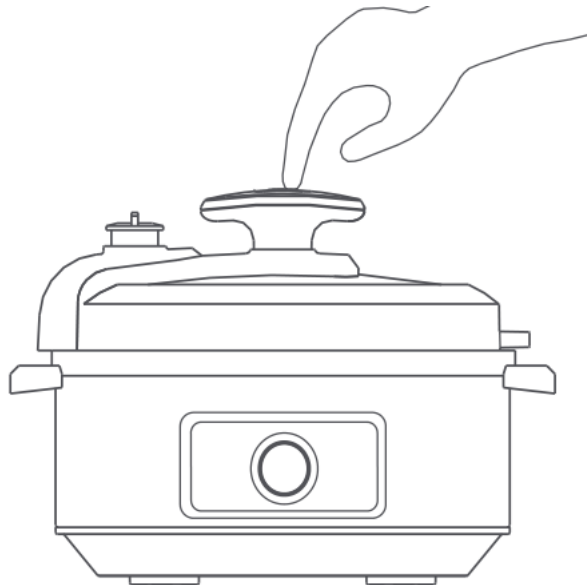
7. Select the function by switching the knob on the control panel, and press the knob to start working.



8. When the food is cooked, unplug the power plug. After the cooker cools down, check the float value falls completely. Then hold on the handle and open the lid.



9. Before opening the lid, press the pressure release button by hand. When pressing the exhaust button, keep the angle of your hand to exhaust port between 90° and 270° , to prevent steam scald. Only when float valve falls completely, can you open the lid.



CLEAN AND CARE

1. Please pull off the power plug before cleaning.
2. Clean and check the cooker regularly, including silicone gasket, anti-blocking nut, steam release ring, exhaust port and float valve.
3. Wipe main body with a towel. Do not immerse the cooker in water or spray with water.
4. Remove the water collecting box for cleaning, meanwhile wipe the box setting place with a towel.
5. Take the inner pot carefully when in use. Do not collide, otherwise it will affect the product quality.

TROUBLESHOOTING

PROBLEM	PROBLEM CAUSE	SOLUTION
Function indicator Light flashes and buzzer beeps	NTC cuts off	Re-plug in NTC. If it is still unworkable, try to replace NTC.
Saute level indicator light flashes and buzzer beeps	Overheat	Plug off the cooker and re-turn on after it cooled down
Munual level indicator light flashes and buzzer beeps	Pressure switch cuts off	Plug off the cooker. Contact retailer or qualified electrician for repair.